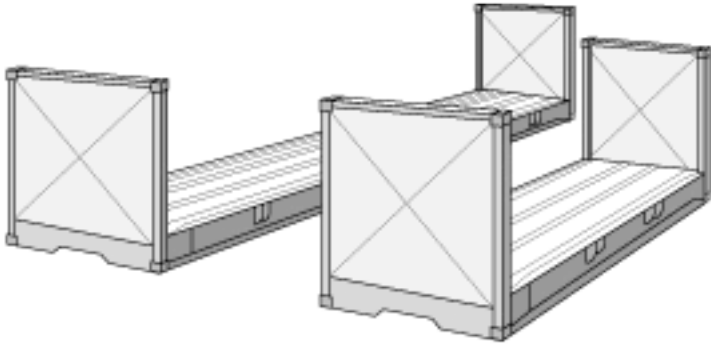


# Container Size

## Container Flat Rack



Flat rack containers are especially suitable for heavy loads and cargo that needs loading from the top or sides, such as pipes and machinery. You will find collapsible containers and non-collapsible containers with or without walls. Flat rack containers are manufactured from steel and come in 20' and 40' sizes.

Flat rack container dimensions  
Specific dimensions and capacity of flat rack containers may vary depending on the container manufacturer, the age of the container and the container owner. The specifications listed below are, however, representative.

## Container Flat Rack 20'

Tare weight	Payload capacity	Cubic capacity
2360 kg 5203,8 lbs	30140 kg 66458,7 lbs	32,7 m <sup>3</sup> 1154,3 cu ft

Internal length	Internal width	Internal height
5,94 m 19,5 ft	2,35 m 7,7 ft	2,35 m 7,7 ft

## Container Flat Rack 40'

Tare weight	Payload capacity	Cubic capacity
5,000 kg 11,025 lbs	40,000 kg 88,200 lbs	62.2 m <sup>3</sup> 2,195.7 cu ft

Internal length	Internal width	Internal height
12.13 m 39.8 ft	2.40 m 7.9 ft	2.14 m 7 ft